



SPACE RAY SURA ELECTRIC QUARTZ HEATER INSTALLATION AND OPERATION MANUAL

Model
GSS15 - GSS20 - GSS30 – GSS40



Gas Fired Products (UK) Ltd
Chapel Lane, Claydon, Ipswich
Suffolk IP6 0JL, England
Tel: 01473 830551 Fax: 01473 832055
E-mail: Info@spaceray.co.uk
www.spaceray.co.uk
www.outdoorheating.spaceray.co.uk

ATTENTION!
DO NOT TOUCH THE HEATER LAMP WITH BARE HANDS!

TABLE OF CONTENTS:

1. The Heater.....	2
2. Product Components.....	2
3. Instructions for Installation and Usage.....	3
3.1. Important Safety Information.....	3
3.2. Installation.....	4
3.3. Usage.....	5
4. Un-Installation.....	6

1. THE HEATER:

According to Thermodynamic Laws there are three types of heat transfers; conduction, convection and **radiation**. The so-called "Radiant Heaters" function using the radiant heat transfer principle. The radiant heaters act like the sun to heat the objects that they are exposed. In other words, with radiant heating the objects, people, etc. are heated directly by a solid surface without heating up the air in between. The air warms up afterwards, by the convection heat released from the people and objects. It is possible to divide the radiant heaters in to two main classes. These are "Low Intensity Heaters" and "High and Medium Intensity Heaters". **SPACE-RAY™** SURA equipment belongs to the latter.

Each heater has a halogen electric lamp. The filament of these heater lamps reaches up to 1200°C, a short time after switching on. Thus, a comfortable warmth feeling occurs just after start up. These characteristics of the heaters provide economical and effective heating solutions for applications that are very high and wide, have poor insulation and outdoors. Additionally, they are clean, odorless, silent and environmental friendly.

Gas Fired Products UK Ltd. proudly presents the **SPACE-RAY™** SURA heaters to be used as general, local or spot heating medium. All the equipment used in the production of the heaters are manufactured according to the EU directives, having the CE marking.

It is recommended that the customer consult Gas Fired Products UK Ltd. or authorized agents for capacity determination and the best places to install the heater.

2. PRODUCT COMPONENTS:

The main product components are as follows:

- A. Protective wire guard
- B. Quartz lamp holders and quartz lamp
- C. Reflector
- D. Hard case
- E. Side Caps
- F. Connector Box
- G. Wall hanger
- H. Electric cable
- I. Installation screws

3. INSTRUCTIONS FOR INSTALLATION AND USAGE:

3.1. IMPORTANT SAFETY INFORMATION:

Please read this information carefully before installing and using this device, which is manufactured to use for general, local and spot heating.

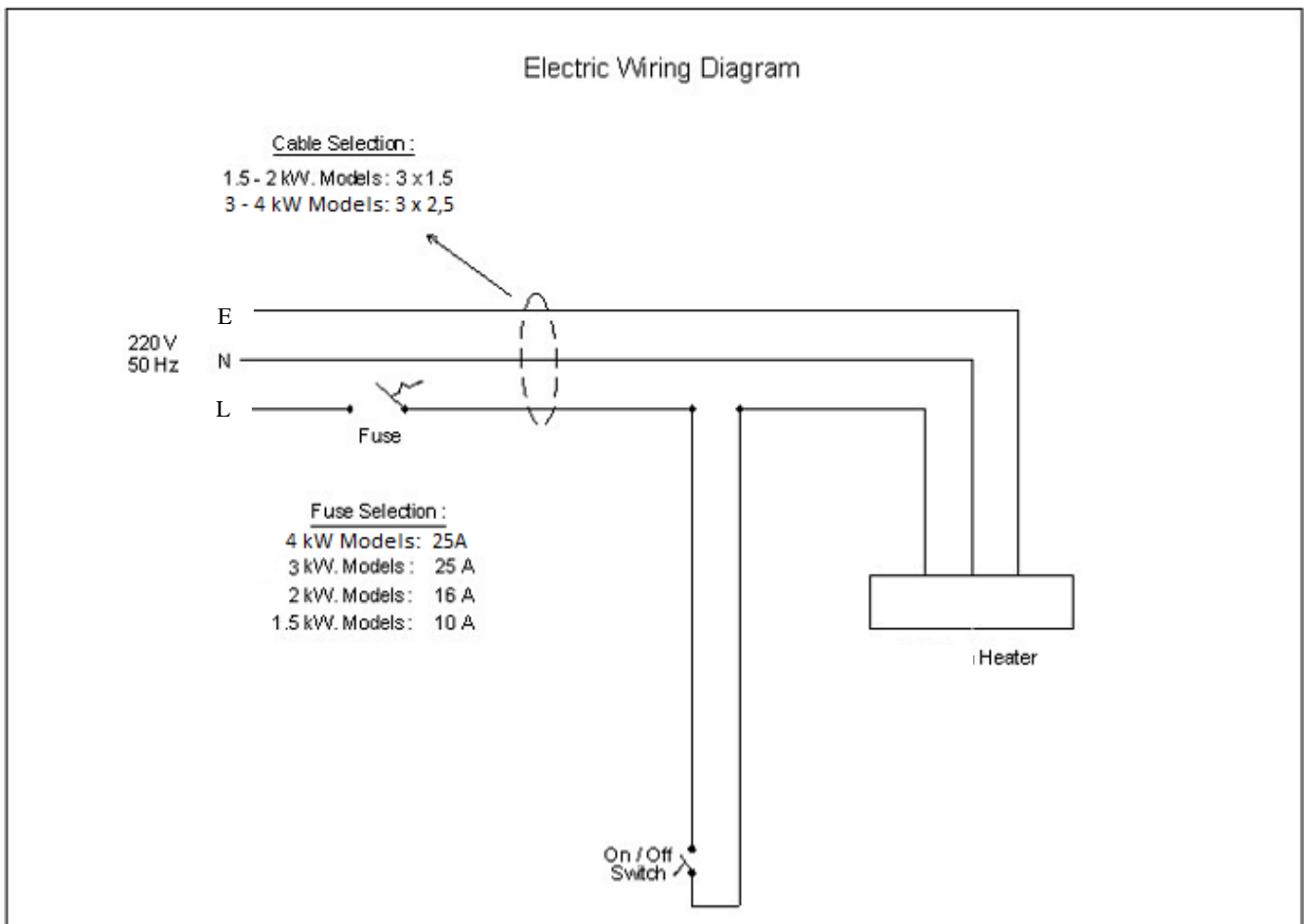
- This device should not be used in the environments where;
 - there are flying or jumping animals,
 - explosive or flammable goods are manufactured or stored,
- Do not touch the lamp(s) with bare hands. If you touch the lamp(s) somehow, try to clean the fingerprints with a soft and dry cloth and with the help of volatile Solvent such as alcohol. Otherwise, these fingerprints would cause to lessen the life of the lamp(s).
- In 1 lamp models (GSS15,GSS20) the electrical connection should be made by authorized personnel according to the instructions and the wiring diagram on page 4.
- In 2 lamp models (GSS30,GSS40), the electrical connection should be made by authorized personnel according to the instructions and the wiring diagram on page 4.
- It is not necessary to **de-assemble** of any part of the device to make the electrical connection. The connection should only be made according to the instructions and schematics given below.
- Please have your electricity infrastructure (capacity, earth, protection) checked carefully by authorized personnel if it is appropriate to use this device before installing it. The manufacturer is not responsible any damage that may be caused because of the installation or usage of this product other than described within this manual.
- The below table showing the minimum heights from the floor level for installing the products should be taken in the consideration:

Model	Volt (V)	Power (W)	Current (A)	Min. Height From Floor (m)	Dimensions (mm)
GSS15	220/240	1500	6,25	2,10	430x166x95
GSS20	220/240	2000	8,25	2,50	430x166x95
GSS30	220/240	3000	12,50	3,50	830x166x95
GSS40	220/240	4000	17,40	3,50	830x166x95

3.2. INSTALLATION:

The parts to be used to install the product are provided within the box given to you. Please follow the instructions given below:

- You need to install the hanger piece to the place (wall, column, and beam) where you want to install the heater.
- You may use spirit level to maintain the straight position of the product. As you determine the place of the holes where the hanger to be mounted and drill the holes. Then place the plastic plugs to the holes and mount the hanger by using the screws given to you within the package.
- You can adjust the angle of the heater at this stage according to your needs and then you can fix it by tightening the screws on the hanger.
- Please make sure that the electrical connection of the heater is made according to the warnings written above and the schematics given next page.
- The operation of the heater in plugged models is made by plugging and unplugging of the cable to the socket. It is necessary to add an on/off switch to operate the heater in without plug models. This could be provided by authorized personnel in your region. It is also possible to use a thermostat and/or a dimmer as an option. Please apply to your local representative or service for this inquiry.
- Do not install the plugged models right underneath the wall plug.



3.3. USAGE:

It is always necessary to make sure that the installation of the heater is properly made and the electricity current provided is not below or above permissible the limits. Products which are installed correctly should serve you for a long time. Please pay attention to the following when using this heater.

- Please check if the heater is installed properly according to the rules (descriptions and warnings) given in the instruction manual.
- When using models supplied with a plug, just connect the plug to a wall terminal with convenient grounding.
- Turn on the on/off switch when using un-plugged models.
- Disconnect the electric supply if the heater is not used.
- Fluctuations in the electric voltage will reduce the lamp life. Please make sure that the fluctuations do not occur.
- Each heater has protective wire guard at the front to prevent anything to reach the heating elements (lamp, cables, etc.). Do not operate the heater when the protective guard is uninstalled.
- Do not put anything within the heater and do not touch the lamp.
- Stay 1,25 m away from the heater when it is on.
- Prolonged looking at the lamp during operation may result in damage to the eye. Therefore when the heater is on, do not look at the lamp with bare eyes.
- Protect the heater against shocks and vibrations even when it is not operating.
- Do not put anything on the heater or cover it fully or partially.
- Be sure that, things that combustible items such as paper, nylon curtains etc.. are at least 1,25 m away from the heater.
- Be sure that children cannot reach the heater.
- If the heater is not working:
 - Do not try to fix the heater.
 - Disconnect the electric supply.
 - Contact the nearest authorized agent for maintenance.
- The reflectors are made out of highly polished aluminum. They do not lose their reflectivity easily, even because of the dirt and dust. Therefore, it is not necessary to clean them frequently. However, if needed please follow the procedure below to clean the reflectors.
 - Disconnect the electric supply of the heater.
 - Remove the protective guard.
 - Clean the reflector with a dry cloth.

- Do not touch the lamp with bare hands during cleaning. Make sure that no stain occurs on the lamp. If the lamp gets dirty somehow, clean the lamp with a soft cloth moisturized with alcohol.
- Install the protective guard back.
- Connect the heater to the electric supply.

4. UN-INSTALLATION:

To uninstall the heater where it is mounted, follow the procedure below:

- First, make sure that heater is switched off and is not hot.
- If the heater does not have a plug, authorized personnel must remove the electric wiring according to local codes.
- If the heater has plug connection, simply disconnect the heater from the wall terminal.
- Hold the heater case (it is recommended that this is done by another person) and loosen the screws at the sides of the heater hanger. Be careful that the heater will get lose from the wall hanger when you take this action. Hold the heater case tight to prevent any injuries or damage.
- If you need to un-install the wall hanger, simply unscrew the installation screws to remove it from its place.
- Cover the heater with impact absorbing wrapping before packing to protect the heater from any damage.
- If you need any help for un-installation simply call authorized agent.

Agent:



SPACE-RAY[®]

Gas Fired Products (UK) Ltd
Chapel Lane, Claydon, Ipswich
Suffolk IP6 0JL, England
Tel: 01473 830551 Fax: 01473 832055
E-mail: Info@spaceray.co.uk
www.spaceray.co.uk
www.outdoorheating.spaceray.co.uk