



# SPACE-RAY®

## The

# ADVANTAGE

## Poultry Air Heater

- Four model ratings:
  - SRA66 – 66kW (225,000 Btu)
  - SRA59 – 59kW (201,000 Btu)
  - SRA51 – 51kW (174,000 Btu)
  - SRA44 – 44kW (150,000 Btu)
- Typical SRA66 coverage - 465m<sup>2</sup> (5,000 ft<sup>2</sup>)
- 'Hot' Surface Ignition for maximum Reliability and Efficiency
- Quality Heavy Duty Burner - Cast Iron for maximum working life
- Easy to maintain - Full component access to keep costs low
- Propane and Natural Gas
- Made in Britain by SPACE-RAY
- CE Approved

## Gain the

# ADVANTAGE

## with

# SPACE-RAY

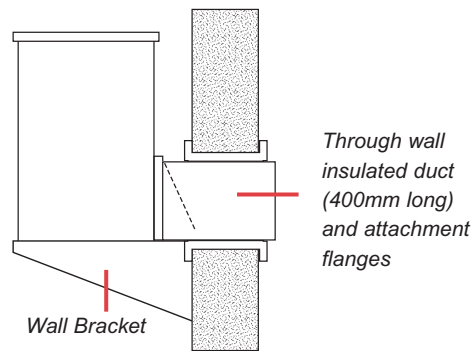
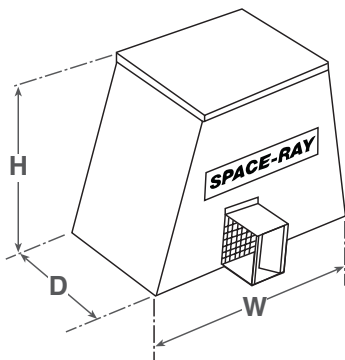


# SPACE-RAY®



# SPACE-RAY

<b>SPECIFICATION GUIDE - ADVANTAGE</b>				
MODEL	SRA66	SRA59	SRA51	SRA44
INPUT RATING - Kw	66.0	59.0	51.0	44.0
Btu/h	225,000	201,000	174,000	150,000
GAS CONSUMPTION / hour				
LPG - Kgs	4.75	4.25	3.67	3.16
Litres	9.30	8.31	7.19	6.20
Nat Gas – MJ/hr	237.6	212.4	183.6	158.4
m <sup>3</sup> /h	6.17	5.52	4.77	4.11
DEPTH mm - D	530mm			
WIDTH mm - W	780mm			
HEIGHT mm - H	765mm			
WEIGHT Kg	58kg			
AIR FLOW	28.33 m <sup>3</sup> /min (1000cfm)			
GAS CONNECTION	R - 1/2			
SUPPLY PRESSURE	Propane – 37.0 mbar Natural Gas – 20.0 mbar			
ELECTRICAL SUPPLY	230v~50Hz 460W, Fuse Internally 10A			
IGNITION	Hot Surface Igniter			
MOUNTING KITS	Adjustable outlet vent/suspension hooks			
Inside House	Adjustable outlet vent/insulated duct/mounting kit			
Outside House				



# SPACE-RAY

For more information contact:

Gas Fired Products (UK) Ltd, Chapel Lane, Claydon, Ipswich, Suffolk IP6 0JL UK

Telephone: (01473) 830551 Fax: (01473) 832055 Email: info@spaceray.co.uk Website: www.spaceray.co.uk

*We reserve the right to alter specifications without prior notice.*

**FACTORIES: ■ IPSWICH, ENGLAND ■ CHARLOTTE, N.C., U.S.A.**