



# SPACE-RAY®

## SRLP-IP55 SERIES

### Poultry Linear Radiant Tube Heaters



- Four model ratings:
  - SRLP 45-IP55 – 47.0kW (160,000 Btu)
  - SRLP 40-IP55 – 42.2kW (144,000 Btu)
  - SRLP 35-IP55 – 34.5kW (117,000 Btu)
  - SRLP 30-IP55 – 29.2kW (100,000 Btu)
- Three emitter package lengths available
- IP55 rated burner box and fan, complete with fresh air flexible connector, clips and outlet screen
- Flake free emitter tube surface – for safer and cleaner working environment
- Propane and Natural Gas
- Aluminium reflectors – the tested and proven superior material – designed to maximise downward radiation
- Lightweight construction – **supplied in 3m sections** – easy to assemble and fit.
- CE Approved
- Efficient and cost saving heating method
- Made in the UK under our ISO9001:2008 quality assured system – all units test fired before despatch



SPACE-RAY®



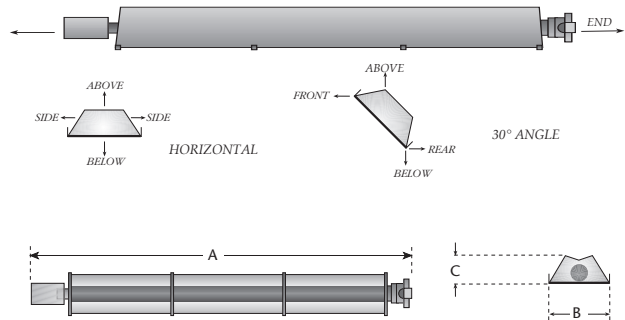
**SPACE-RAY®**

SPECIFICATION GUIDE - SRLP-IP55 SERIES							
Model No.	SRLP30-N IP55	SRLP30-L IP55	SRLP35-N IP55	SRLP35-L IP55	SRLP40-N IP55	SRLP40-L IP55	SRLP45-L IP55
Heat Input, kW Hs	30.3		35.3		40.3		45.5
Heat Input, kW Hi	27.5		32.1		36.6		41.4
Appliance Type	A2, B22,C52						
Appliance Category	I2H3P						I3P
Gas	2H G20	3P G31	2HG20	3P G31	2HG20	3P G31	3P G31
Supply Pressure, mbar	20	37	20	37	20	37	37
Setting Pressure, mbar	12.5	25	12.5	25	12.5	25	25
Injector	#18	#33	#14	3.1mm	#12	3.3mm	#29
Burner Baffle Plate	11x13.5mm		15x12.7mm		16x13.5mm		17x13.5mm
Exhauster Baffle Plate	Ø63.5mm ID						
Electrical Supply	230V ~ 50Hz						
Power Consumption, W	125						
Fuse Externally Rating, A	3						
Protection Rating	IP55						
Min. Length, m	10			13			
Max. Length, m	13			16			
Width, m	0.34						
Min. Weight, kg	62			79			
Max. Weight, kg	79			96			
Gas Connection	R – ½						
Flue Size, mm	Ø100						
Min. Mounting Height, m	4.0		4.3		4.6		

MINIMUM CLEARANCE TO COMBUSTIBLE MATERIAL - MM						
IP55 Models	SIDE	ABOVE	BELOW	END	FRONT	REAR
SRLP 30, 35, 40, 45	760	457	2285	610	760	380



IP55 rated burner box and fan



**SPACE-RAY®**

For more information contact:

Distributor/Agent:

Gas Fired Products (UK) Ltd, Chapel Lane, Claydon, Ipswich, Suffolk IP6 0JL UK  
 Telephone: (01473) 830551 Fax: (01473) 832055 Email: info@spaceray.co.uk Website: www.spaceray.co.uk

We reserve the right to alter specifications without prior notice.

**FACTORIES: ■ IPSWICH, ENGLAND ■ CHARLOTTE, N.C., U.S.A.**