



## INSTALLATION MANUAL

**Destratification Fan**

**Model SR**

**Gas Fired Products (UK) Ltd**  
Chapel Lane  
Claydon, Ipswich  
Suffolk, IP6 0JL  
Tel: +44(0)1473 830 551  
[www.spaceray.co.uk](http://www.spaceray.co.uk)  
[info@spaceray.co.uk](mailto:info@spaceray.co.uk)



Industrial & Commercial  
Heating Equipment Association



**FACTORIES: IPSWICH, ENGLAND - CHARLOTTE, N.C, U.S.A**

## 1. General

- The fan must be sited and connected in accordance with current IEE regulations or the appropriate standards.
- This appliance must be earthed.
- The appliance is not intended for use by young children or infirm persons without supervision.
- Young children should be supervised to ensure that they do not play with the appliance.
- Check that the voltage and frequency on both the fan motor and controller (if fitted) rating labels correspond with your electrical supply.
- The installation must be provided with a double pole isolator switch having a contact separation of not less than 3mm and protected with a 5 Amp fuse.
- Ensure that the safety wire is connected to the J-hook bracket before operating the Fan.

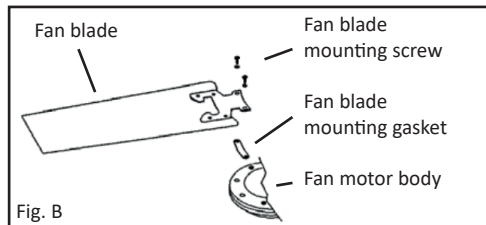
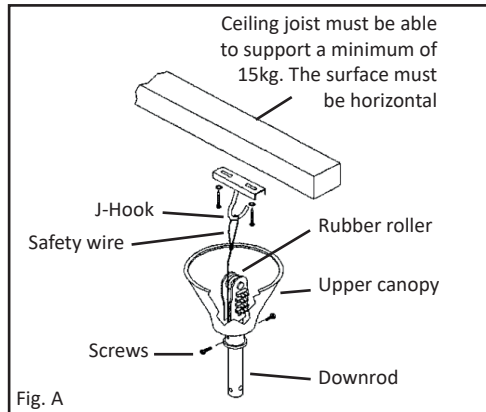
## 2. Installation

**Warning!** Ensure that the mains supply is isolated before proceeding.

- Decide on the position the fan is to be sited; it must be a minimum of 2.3m from the floor to the lowest point on the fan. (A shorter 150mm long downrod is supplied with the fan if required. Refer to the section on installing the shorter downrod).
- Fix the ceiling J-hook (supplied) firmly to a timber joist or concrete ceiling with the screws supplied (or similar). Ensure that the fixing bracket in the ceiling is able to support a hanging weight of 15kg minimum.
- Fit the three blades to the fan body. (Fig A)
- Hang the fan on the hook with the safety wire, then hook up the fan on the black

rubber roller making sure that all wires are clear.

- Connect supply wires to the fan using the terminal block at the top of the downrod. (Fig B)
- Secure upper canopy with screws fitted to cover the wiring connections.
- Tighten all screws including the earth connections.
- Switch on supply and check fan function.



## 3. How to change to 150mm downrod

**Warning!** Ensure that the mains supply is isolated before proceeding.

- Loosen the lower canopy screws and slide the canopy up the downrod.
- Disconnect the Brown (LF), Red (LR) and Blue (N) wires, which run up the downrod from the lower terminal block located just above fan motor body.
- Disconnect the Earth (Green/Yellow) wire from the lower mounting bracket

which also runs up inside the downrod.

- Carefully remove the split pin and the downrod securing bolt.
- Loosen the upper canopy screws and slide canopy down the downrod.
- Carefully remove the split pin and downrod securing bolt and then disconnect the Earth wire.
- Carefully remove the existing downrod passing the disconnected feed wires through the rod along with the safety wire.
- Replace with the 150mm long downrod supplied.
- Pass the feed wires through the new Rod along with the safety wire.
- Replace the upper and lower downrod securing bolts and split pins.
- The feed wires will need to be cut and stripped to suit the shorter rod and then re-connected to the lower terminal block. Brown (LF), Red (LR) and Blue (N) wires.
- Re-connect all Earth (Green/Yellow) wires.
- Because the shorter downrod has been required for our particular installation, it is recommended that the safety wire is reduced in length to protrude 75mm above the height of the 150mm downrod. The loop for the safety wire will need re-making by using a wire rope grip or crimp (Supplied by others). It is essential that the new safety wire loop will withstand the weight of the fan in the event of it falling.

